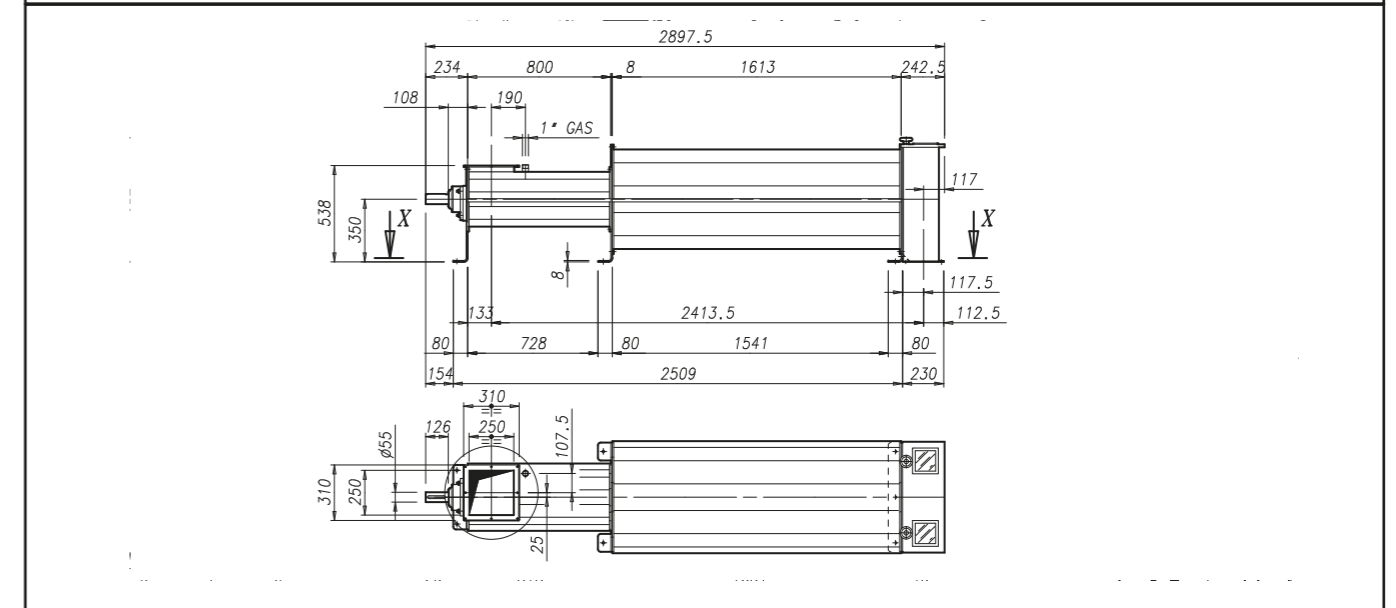
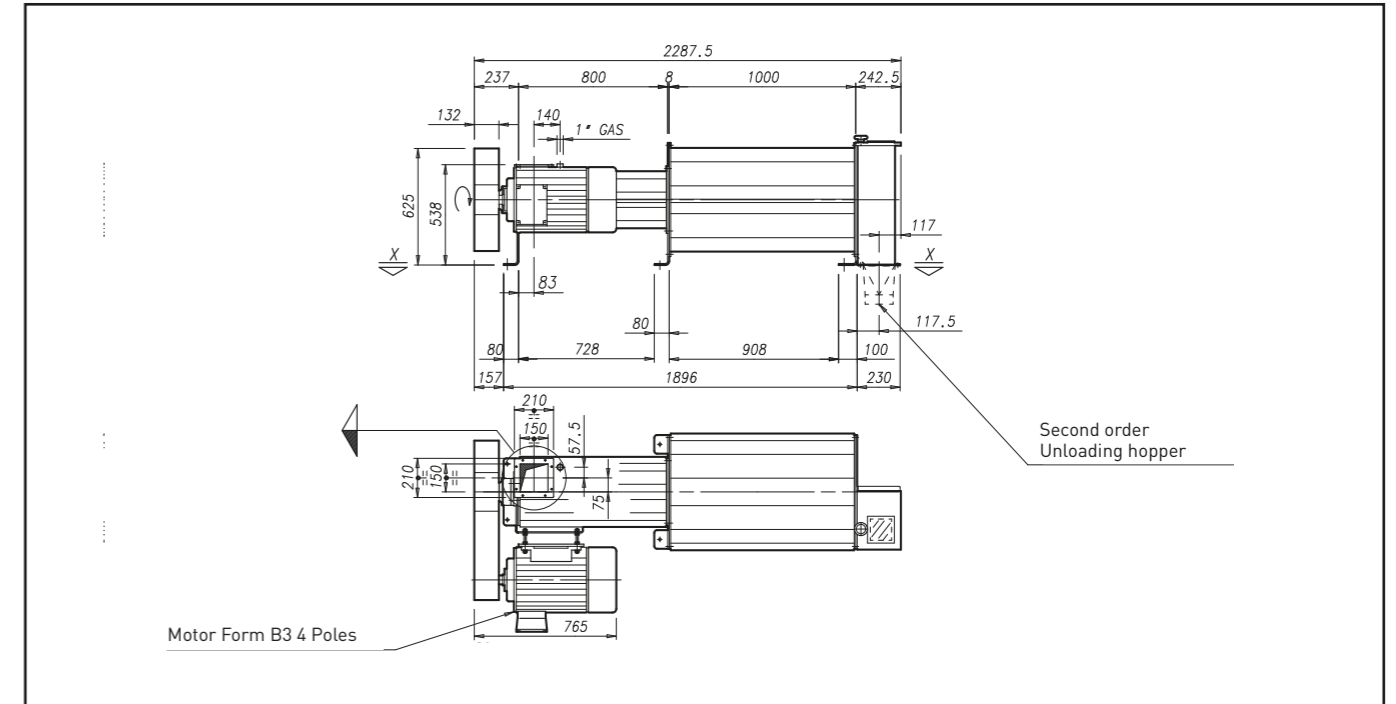


# BI-MIX

## Intensive Dampener

The intensive dampener type BI-MIX improves the water absorption method making it more rapid and homogeneous, resulting in better wheat tempering and reduction of conditioning over time.

Machine composed by a double diameter rotor with adjustable paddles, while the external frame has a polygonal shape made of stainless steel and internally coated with anti-wear material.



| Type                | Kw    | Capacity*<br>T/h | Weight<br>Kg |
|---------------------|-------|------------------|--------------|
| BI MIX 30-55/180-11 | 11    | 10-12            | 435          |
| BI MIX 30-55/180-15 | 15    | 12-20            | 450          |
| BI MIX 30-55/180-22 | 22    | 20-25            | 490          |
| BI MIX 30-55/240    | 30-45 | 25-35            | 700          |

\* Soft wheat 0,75t/m<sup>3</sup>  
Units = mm