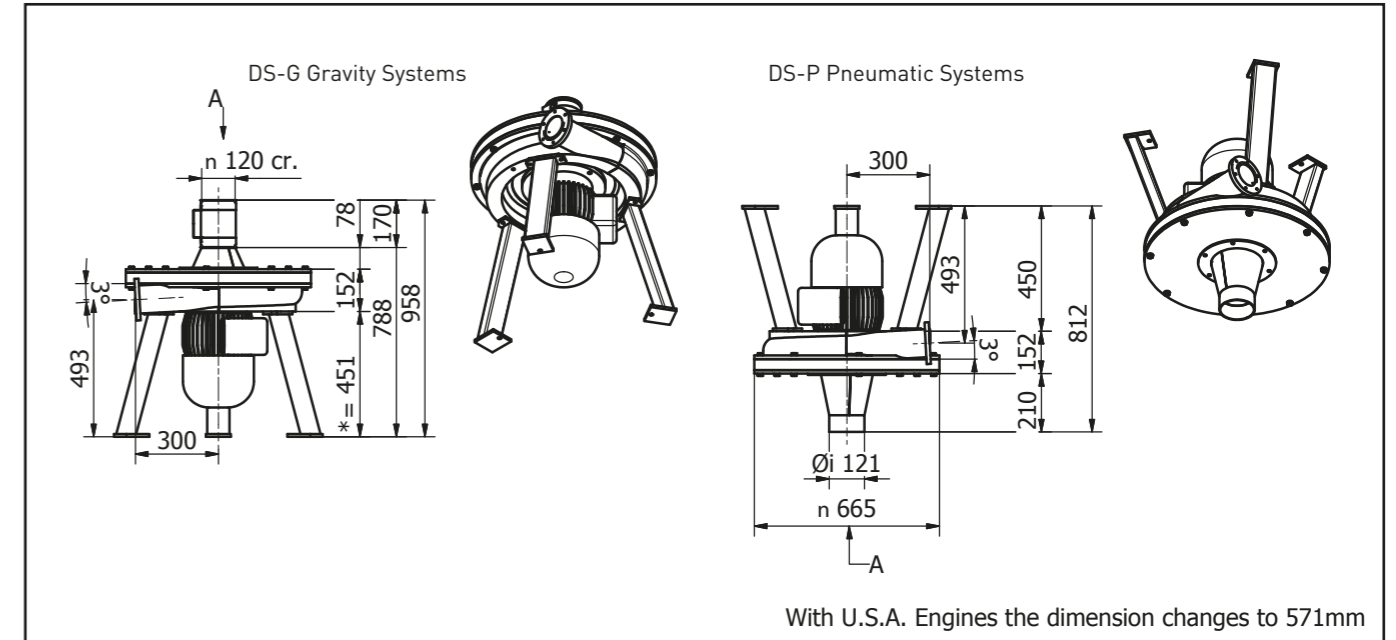


PULVERSAN DS

Centrifugal Detaching Device

Impact machine to optimize the grinding after the roller mills. The structure consists of a circular cast iron casing and a circular steel rotor with rods in food-grade paint, which perform the impact to pulverize the endosperm attached to the semolina.



Type	Capacity t/h	Power kW	Hz	n/1'	Volume m ³	Weight kg
DS 51-G/P	1,8	5,5	50	3000	0,6	223
	2,2	7,5				
DS 43-G/P	1,8	5,5	60	3600	0,6	-
	2,2	7,5				

Units = mm