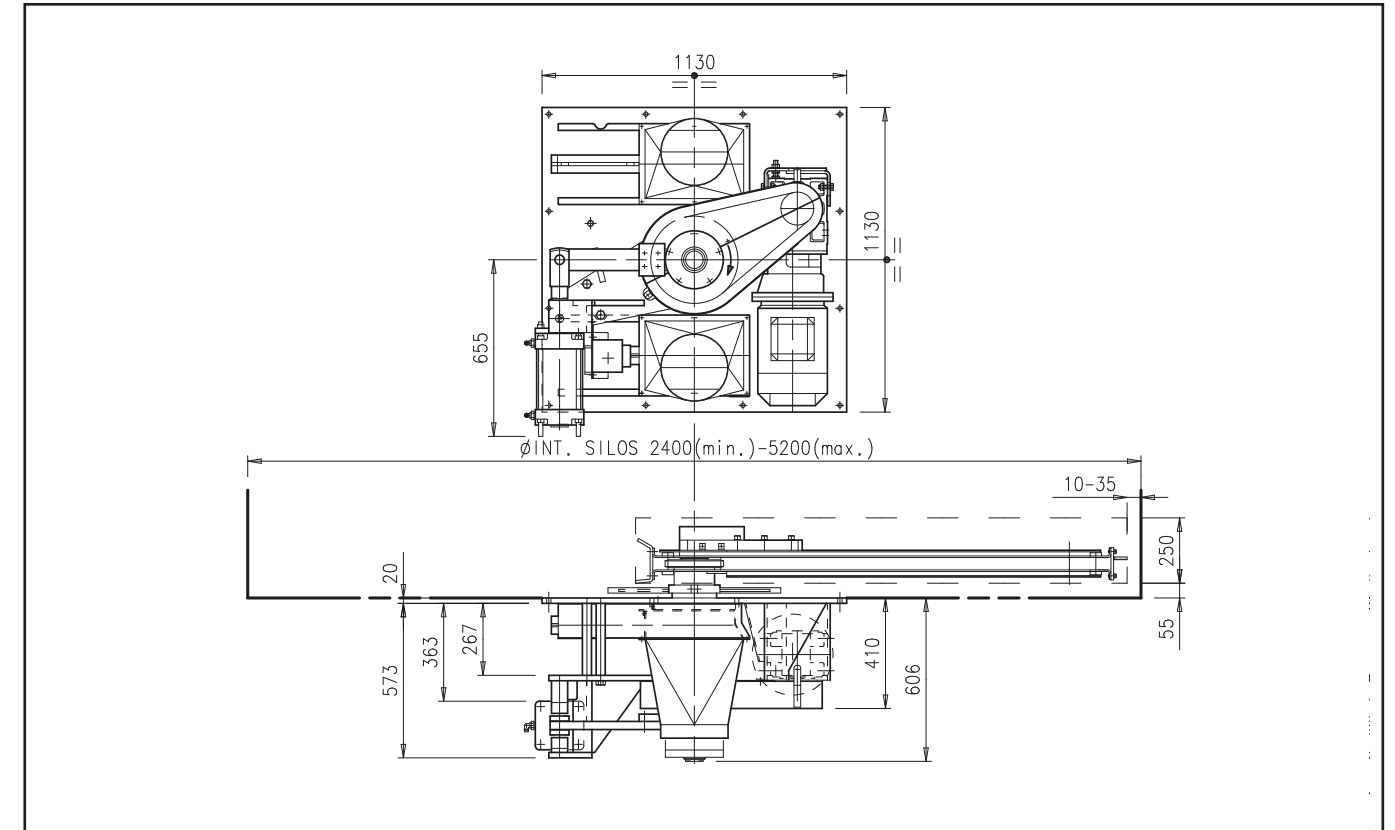
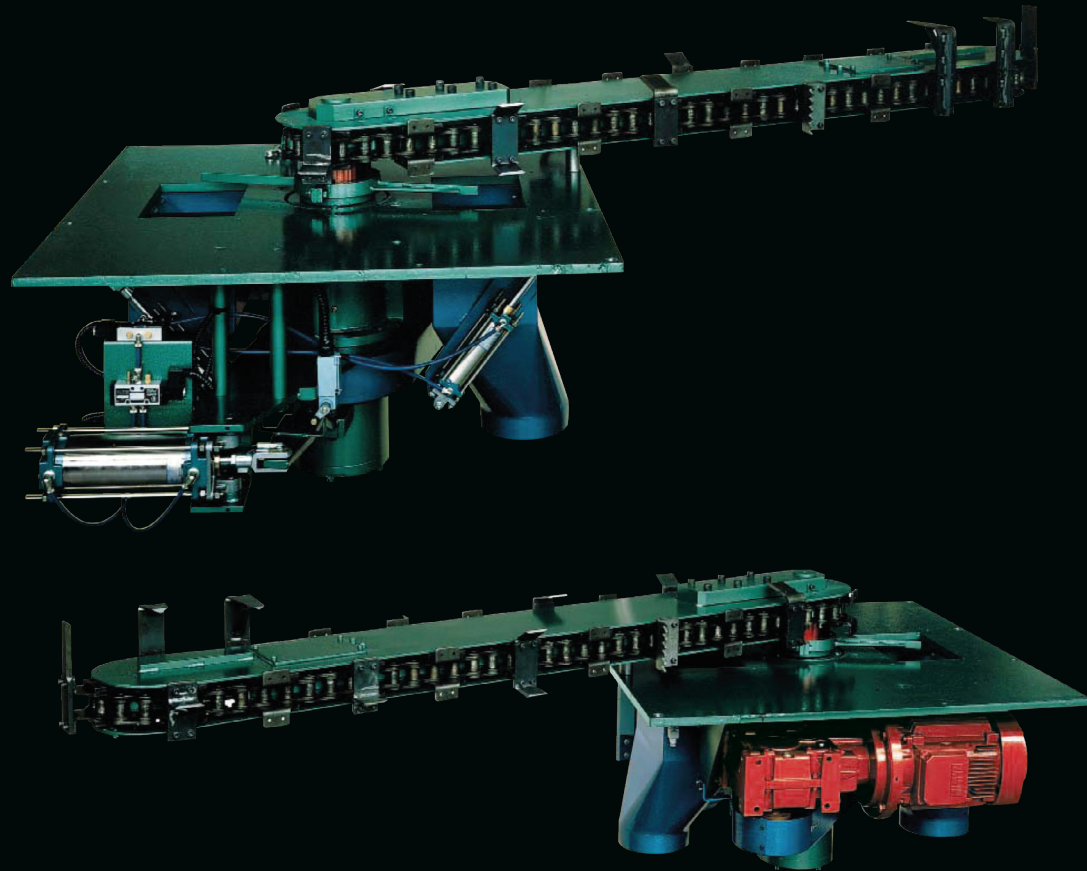


# SE 90

## Milling Extractor

Milling extractor developed to extract granular and floury products, with low flowing capability. This action is carried out thanks to extraction blades specifically designed to reduce wear over time.



Silos Diameter	Capacity	Gear Motor Power	Weight
max 5 mt	max 18 T/h	9,2 kW	800 Kg

Units = mm