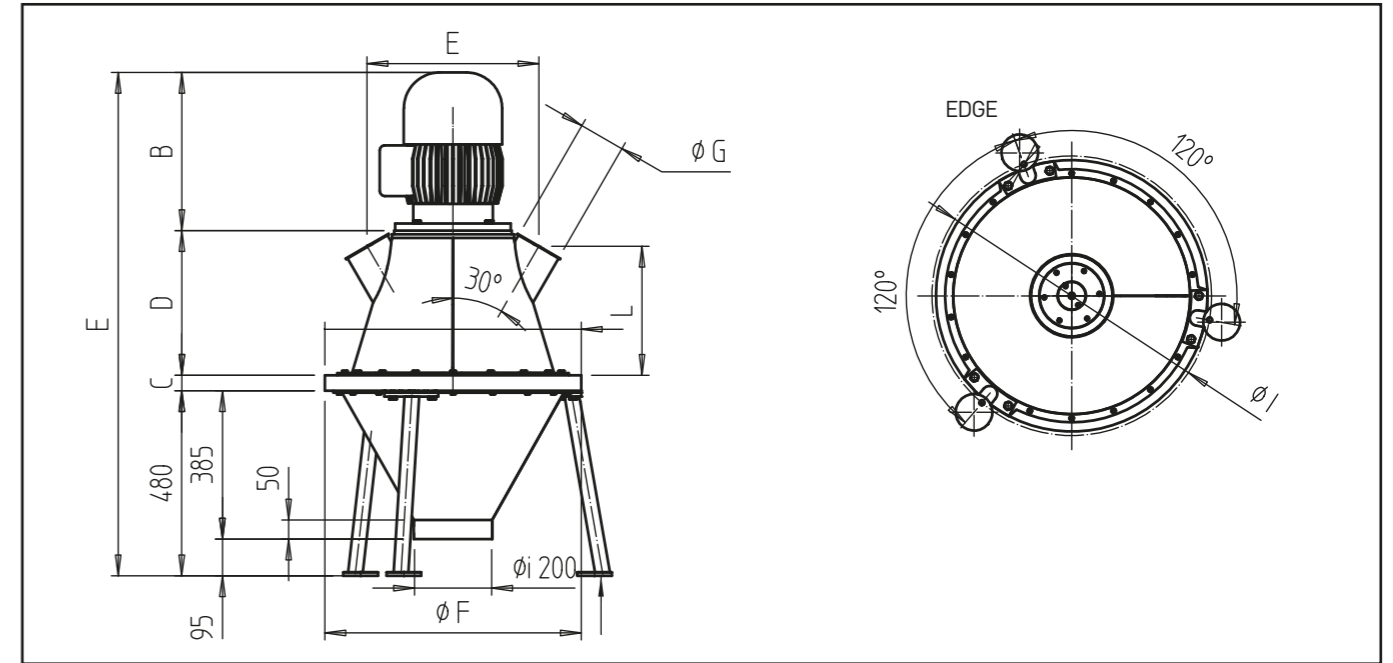


SPD/71

Pulversan Infestation Destroyer

The machine features gravimetric loading for the disinfection of grain and flour from insects and eggs. The impeller features two steel disks that are separated by a double rod crown. Coaxial to the impeller, there is an impact ring which is mounted to the unloading hopper. The structure is in welded metal sheet.



	Type	Power KW	Capacity t/h	A	B	C	D	F	G	I	L	Volume mc	Weight Kg
Flour	SPD71	5,5	3	1306	410	40	376	665	120	685	335	0,96	201
		7,5	4	1306	410	40	376	665	120	685	335		206
		9	5	1306	410	40	376	665	120	685	335		210
		11	7	1588	558	90	460	740	150	810	415		214
		15	9	1588	558	90	460	740	150	810	415		219
Wheat	SPD71	5,5	5	1317	417	40	380	665	120	685	335	219	
		7,5	10	1317	417	40	380	665	120	685	335	223	
		15	15	1588	558	90	460	740	150	810	415		

Units = mm