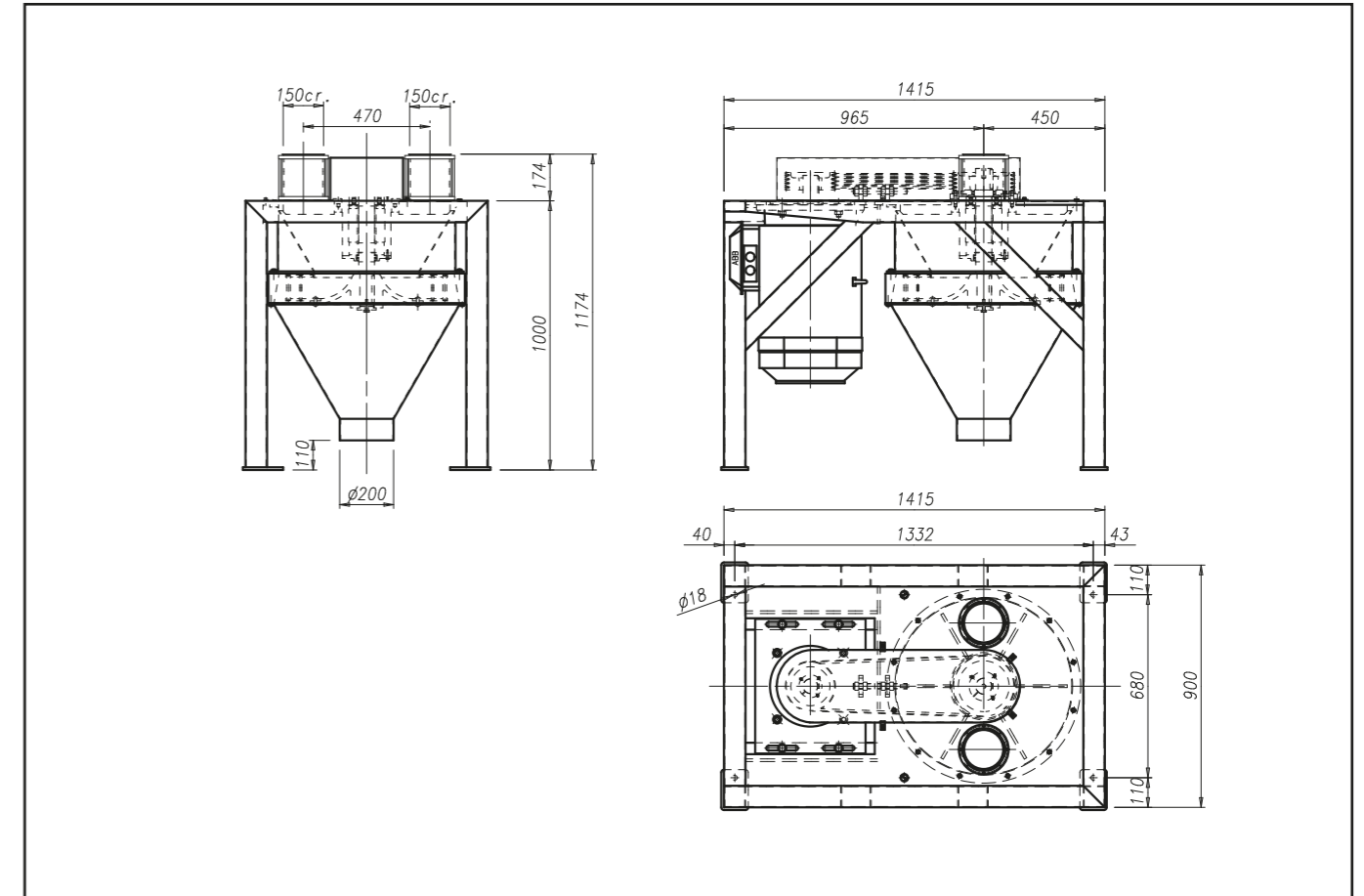


SPD/T

Pulversan Infestation Destroyer

The machine features gravimetric loading for the disinfection of grain and flour from insects and eggs. The impeller features two steel disks that are separated by a double rod crown. Coaxial to the impeller, there is an impact ring which is mounted to the unloading hopper. The structure is in welded metal sheet.



Model	Capacity Max t/h	Motor Kw	Weight Kg	Volume m ³
SPD 71-37 T	20	37	576	1,5
SPD 71-22 T	15	22	531	1,5
SPD 71-15 T	10	15	500	1,5

Units = mm