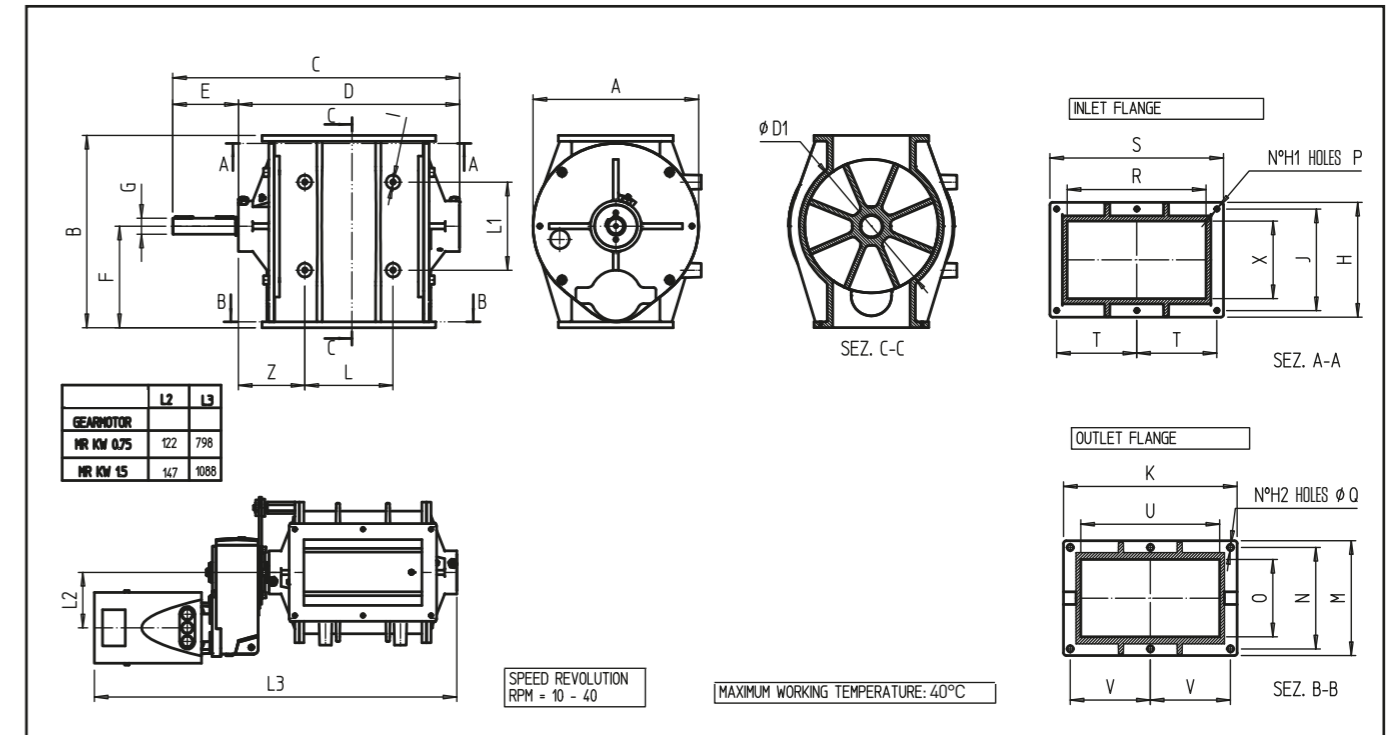
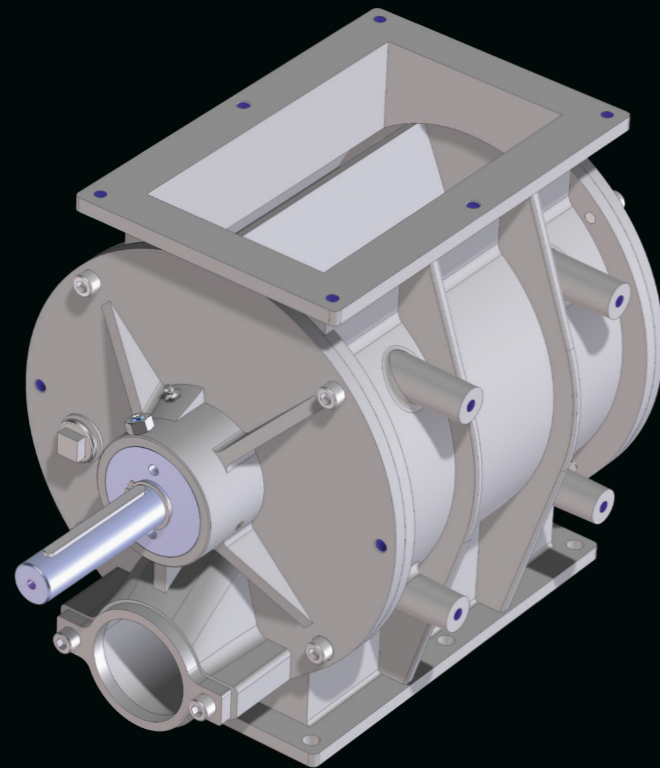


# VAS

## Air Lock Valve

The valve is developed to make the grainy and floury products efficiently enter the circuits for pneumatic transport. It must be placed on a perfectly plane surface and fixed with screws inserted in the dedicated holes at the base of the valve.



Valve	D1	V/revolution	A	B	C	D	E	F	ØG	H	LxL1	M	N	O	P	H1
VAS 200	200	5	255	300	472	358	114	155	25	M10	140x140	190	165	125	M8	6
VAS 250	250	10	310	360	537	414	123	190	30	M10	165x165	215	190	145	M10	6
VAS 300	300	19	360	445	577	514	63	245	34	M12	200x220	280	250	200	M12	6
VAS 350	350	36	430	530	798,5	655	143,5	290	35	M12	320x220	340	300	240	M12	10
VAS 450	450	78	550	675	950	850	100	370	54	M14	400x300	420	370	285	M14	10

Valve	QØ	H2	U	V	Z	K	Tipo	Peso Kg
VAS 200	10	6	210	122,5	109	270	1-2-3	45
VAS 250	12	6	260	150	124,5	325	1-2-3	70
VAS 300	14	6	335	195	79,5	430	1-3	130
VAS 350	14	8	470	180	167,5	580	1-2-3	235
VAS 450	15	8	600	225	120	740	1-3	464

Units = mm